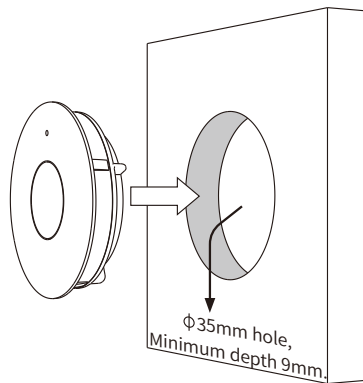


Umi Smart Wireless

LED Remote Controller

Model: BR11

Quick installation guide



General Purpose Dimming & Color Control

Operation

1. Pair and unpair to receiver

The remote controller needs to be paired to receiver to work. User can pair up to 5 remote controllers to one receiver and each remote can be paired to any receiver.

To pair or unpair remote to the receiver, please operate with 2 steps:

- 1). Cut off the power of receiver and power on again after more than 5 seconds.
- 2). Within 10 seconds after receiver powered on, Press the button for 5 times continuously and quickly to pair the remote; To unpair the remote, please press 7 times instead of 5.

2. Turn on/off the lights

Single press the button to turn on/off the lights.

3. Dim up and down

Hold press the button to dim up or down. The dimming direction will change on each hold pressing. The dimming will stop once brightness reach top or bottom limit.

4. Adjust color

For working with multi-color receivers, user can double click the button to activate the color adjusting mode. The indicator will flash at color adjusting mode, at this mode the hold pressing will swap to color adjusting shortly. The hold pressing operation will swap back to dimming function after no operation for a while.

5. Change RGB/White mixing mode

For RGB+White and RGB+CCT application, user can switch the color mixing mode between white[CCT], RGB and White[CCT]+RGB mode.

To click the button 3 times rapidly, the color mixing mode on receiver will change.

Specification

Working voltage	DC 3V, CR2032 battery
Wireless protocol	Umi protocol based on SIG BLE Mesh
Frequency band	2.4GHz ISM band
Wireless power	< 7dBm
Working temperature	-20-55°C(-4-131°F)

Rayrun

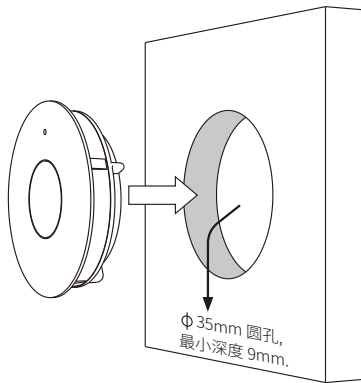
Umi智能无线

LED遥控器

型号: BR11

通用型号
支持调光/调色

快速安装指南



操作方法

1. 配对到灯具或控制器

遥控器需要与灯具或控制器配对才能工作。一个灯具或控制器最多可以配对5个遥控器,遥控器则可以与任意匹配灯具或控制器配对。

请按以下步骤操作来完成遥控器配对或取消配对:

- 1). 将目标灯具或控制器断电,在超过5秒后再通电。
- 2). 在灯具或控制器通电后的10秒内,快速连续按键5次完成配对;或者快速连续按下7次取消配对。

2. 开/关

单按按钮打开/关闭灯。

3. 调节亮度

按住按钮可将灯光调亮或调暗。每次松开按键再按下调光时,亮度的调节方向将会改变。

4. 调节颜色

对于多色灯具或控制器,可以双击按钮激活颜色调整模式。在调色模式下遥控器指示灯会闪烁,此时长按按键可以调整灯光颜色。在无操作一段时间后,长按功能会回到亮度调节功能。

4. 切换颜色混合模式

此遥控器在与RGBW或RGB CCT灯具或控制器配对使用时,可以通过快速按三次按键切换颜色混合模式。颜色混合模式会在单白光、单RGB光和RGB加白光三个模式之间循环切换。

规格

工作电压	DC 3V, CR2032纽扣电池
无线协议	Umi协议, 基于SIG BLE Mesh
频段	2.4GHz ISM band
无线功率	< 7dBm
工作温度	-20-55 °C (-4-131 °F)

Rayrun